



Conserve It JACE 8000 (CI-J8000)

The Conserve It JACE 8000 is a compact, embedded IoT (Internet of Things) controller and server platform for connecting multiple and diverse devices and sub-systems.

With Internet connectivity and Web-serving capability, the CI-J8000 controller provides integrated control, supervision, data logging, alarming, scheduling and network management. It streams data and rich graphical displays to a standard Web browser via an Ethernet or wireless LAN, or remotely over the Internet.

The licensing model for the JACE 8000 controller is simplified and features standard drivers along with optional IO and field bus expansion modules for ultimate flexibility and expandability. The JACE 8000 controller operates with Niagara 4, the latest version of the Niagara Framework®, for optimum performance. In larger facilities, multi-building applications and large-scale control system integrations, Niagara 4 Supervisors can be used with JACE 8000 controllers to aggregate information, including real-time data, history and alarms, to create a single, unified application.

Hardware Specifications

TI AM3352: 1000MHz ARM® Cortex™-A8
1GB DDR3 SDRAM
Removable micro-SD card with 4GB flash total storage/2GB user storage
Wi-Fi (Client or WAP) IEEE802.11a/b/g/n IEEE802.11n HT20 @ 2.4GHz IEEE802.11n HT20/ HT40 @ 5GHz Configurable radio (Off, WAP, or Client) WPAPSK/WPA2PSK supported
USB type A connector Back-up and restore support
2 x isolated RS-485 with selectable bias and termination
2 x 10/100MB Ethernet ports
Secure boot
24VAC/DC power supply
Runs Niagara AX or N4
Real time clock
Batteryless

Expansion module and IO configurations

Maximum expansion modules supported	Maximum IO modules supported
NPB-8000-LON: 4	IO-16-485: 16
NPB-8000-232: 4	
NPB-8000-2X-485: 2	

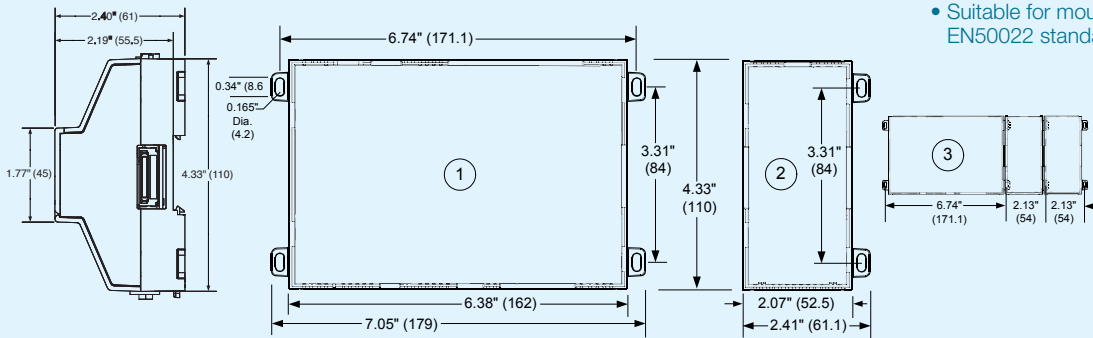
Maximum Combinations

Exp 1	Exp 2	Exp 3	Exp 4
232 or LON	232 or LON	232 or LON	232 or LON
485 / 485	232 or LON	232 or LON	232 or LON
485 / 485	485 / 485	232 or LON	
485 / 485	485 / 485		

Mounting & Dimensions

- JACE 8000 controller. Allow at least 1.5" (38mm) clearance around all sides and minimum 3" (76mm) at bottom for Wi-Fi antenna
- Expansion module. Up to four (4) may be used. See "Expansion Module and IO Configurations"
- Distances between center of tabs from one unit to another unit

- Compatible with (DIN43880) enclosures
- Suitable for mounting to a panel or to an EN50022 standard 35mm rail



Agency Certifications

- UL 916
- CE EN 61326-1
- FCC Part 15 Subpart B, Class B
- FCC Part 15 Subpart C
- C-UL listed to Canadian Standards Association (CSA) C22.2 No. 205-M1983 "Signal Equipment"
- 1999/5/EC R&TTE Directive
- CCC
- SRRC
- RSS
- ROHS

Environmental Specifications

- Operating temperature: -20–60°C
- Storage temperature: -40–85°C
- Humidity: 5%–95% — Non condensing
- Shipping & vibration: ASTM D4169, Assurance Level II
- MTTF: 10 years+

Ordering Information

Part Number	Part Name	Description
CI-J-8005	Conserve It J-8000 with 5 Device Limit	JACE 8000 Controller, microSD card, 2 10/100 Mb Ethernet ports, 2 RS-485 serial ports. Licensed for 5 Device/250 Point Limit. Includes standard open drivers.
CI-J-8010	Conserve It J-8000 with 10 Device Limit	JACE 8000 Controller, microSD card, 2 10/100 Mb Ethernet ports, 2 RS-485 serial ports. Licensed for 10 Device/500 Point Limit. Includes standard open drivers.
CI-J-8025	Conserve It J-8000 with 25 Device Limit	JACE 8000 Controller, microSD card, 2 10/100 Mb Ethernet ports, 2 RS-485 serial ports. Licensed for 25 Device/1250 Point Limit. Includes standard open drivers.
CI-J-8100	Conserve It J-8000 with 100 Device Limit	JACE 8000 Controller, microSD card, 2 10/100 Mb Ethernet ports, 2 RS-485 serial ports. Licensed for 100 Device/5000 Point Limit. Includes standard open drivers.
CI-J-8200	Conserve It J-8000 with 200 Device Limit	JACE 8000 Controller, microSD card, 2 10/100 Mb Ethernet ports, 2 RS-485 serial ports. Licensed for 200 Device/10000 Point Limit. Includes standard open drivers.
CI-JCX-8005	Conserve It J-8000 with 250 Points Limit	JACE 8000 Core Software Only 250 Points. Includes standard open drivers. Supports up to 250 points. Requires Niagara 4.1 or higher.
CI-JEC-834	Conserve It JACE8000 Equipment Controller	JACE 8000 with remote connected 34 point I/O module. Includes microSD card, 2 10/100 Mb Ethernet ports, 2 RS-485 serial ports and integration ready. Includes standard open drivers with 0 device & 0 point capacity. Requires 24 VAC or 24 VDC power source. Option cards required for communication to remote devices are not included. Requires Niagara 4.3 or higher.

Note - All CI-J-8000 must be purchased with corresponding initial software maintenance.

Hardware Add-On Anytime After Initial Purchase

Part Number	Part Name	Description
NPB-8000-232	NPB-8000-232 Module	JACE 8000 - Add-on single port RS-232 module.
NPB-8000-2X-485	NPB-8000-2X- 485 Module	JACE 8000 - Add-on dual port RS-485 module.
NPB-8000-LON	NPB-8000-LON Module	JACE 8000 - Add-on single port LON FTT10A module.
WPM-8000	JACE-8000 Wall Adapter	100-240VAC, 50/60 Hz. Wall Adapter – Connects to the 2.5mm barrel plug 24V input on the JACE-8000 and includes US,EU, UK, and AU style plugs.
IO-R-16	JACE 8000 16 Point IO	16 Point IO Module (14006). Powered by IO-R-34. Connected to JACE-8000 remotely over RS485. 8UI, 4DO and 4AO. Requires Niagara 4 (4.3+) or Niagara AX (3.8U3+)
IO-R-34	JACE 8000 34 Point IO	34 Point IO Module (14022). Powered by 24VAC/DC. Capable of powering (4) IO-R-16 modules. Connected to JACE-8000 remotely over RS485. 16UI, 10DO and 8AO. Requires Niagara 4 (4.3+) or Niagara AX (3.8U3+)
IO-16-485	16 Remote IO	Includes 8 Universal Inputs, 4 Form A Relay Outputs, and 4 0-10 VDC Analog Outputs. Contains removable screw terminal connectors, and status indication LEDs. Intended for DIN rail mounting. Note: Up to 4 remote IO-16-485 modules max per JACE 3E (JACE 6E, 7 and JACE 8000 can support up to 16).

See full Conserve It Vykon price list for additional software and hardware options