



CI-XM-34IO Controller

CI-XM-34IO and CI-XM-34IO-B (BACnet)

The CI-XM-34IO and CI-XM-34IO-B (BACnet) are part of Conserve It's hardware portfolio designed to provide maximum performance at minimum cost. The units are completely extendable and can be configured to add additional IOs to any Conserve It Edge 534 controller, any JACE 8000 controller and other BACnet controllers.

The CI-XM-34IO has 34 points and extends the IO for any device that has a Conserve It IO device network. The CI-XM-34IO-B has 34 points and enables an IO network and is a slave BACnet MS/TP device that can be integrated by a BACnet client controller.

Various combinations of the CI-XM-34IO and CI-XM-34IO-B can further extend the JACE 8000's and other BACnet controllers to the CI Edge 534 to 306 IO.

Use Cases

- Additional IO for a CI Edge IoT 534 (CI-534-N4)
- The IO network support all CI-XM-34IO modules
- Additional IO for any BACnet MS/TP controller

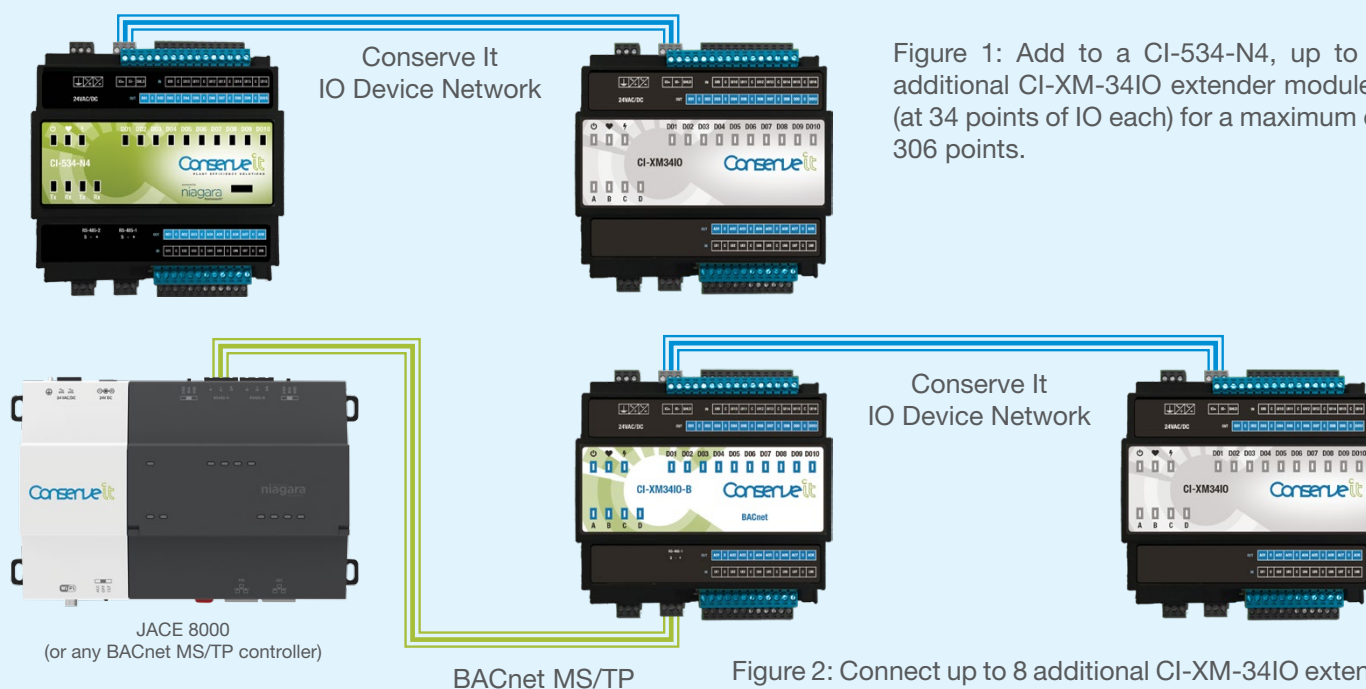


Figure 1: Add to a CI-534-N4, up to 8 additional CI-XM-34IO extender modules (at 34 points of IO each) for a maximum of 306 points.

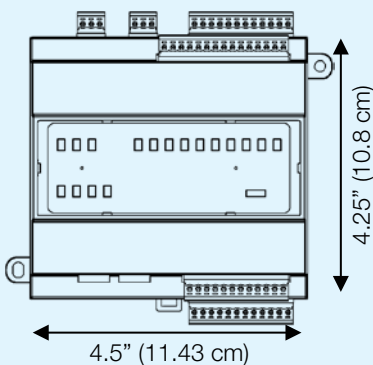
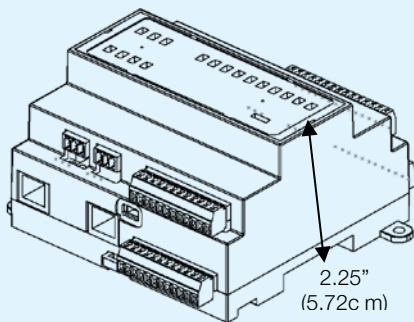
Figure 2: Connect up to 8 additional CI-XM-34IO extender modules (at 34 points of IO each) to a CI-XM-34IO-B for a maximum of 306 points.

Specifications

- 10 Digital Outputs, 8 Analog Outputs & 16 Universal Inputs
- Input mode setting per Universal Input (resistance, voltage, current, pulse, etc.)
- IO Network
- Wired 24 Vac/dc
- 35mm DIN rail or flat panel mounting

Features

- Can be used with CI-534-N4 or any BACnet MS/TP controller (via CI-XM-34IO-B)
- Extremely compact, modular design allows flexibility/versatility in various combinations of IO
- Extends 34 points to an IO Network Capable device
- Up to 8 additional extender modules (at 34 points of IO each) for a maximum of 306 points
- Small unit footprint (11.43cm x 10.8cm x 5.72cm)
- Low power



Communication ports	
IO Networks	3-wire high-speed differential serial signal (IO+, IO-, SHLD)
Inputs and outputs	
16 Universal Inputs	Type-3 10K ohm thermistors; resistance 0-100K ohms; 0-10 Vdc; 0-20 mA using a 499 ohm resistor; pulse input: up to 500Hz
10 Digital Outputs	Form A contacts, 24V at 0.5A
8 Analog Outputs	0-10Vdc
Connector Screw Size	3/32" slotted
Supported Wire Size	28-16 AWG
Housing	UL94V-0
Power	
Power Input	External 24Vac/dc power supply
Chassis	
Construction	Base: Plastic, DIN rail or screw mount
	Cover: Plastic
Cooling	Internal air convection
Dimensions	11.43cm (4.5") width x 10.8cm (4.25") length x 5.72cm (2.25") depth
Mounting	Flat panel and 35mm DIN rail mounting options standard
	Recommended maximum cable length: 30 feet (9.1m)
Environment	
Operating Temperature	0 - 60°C (32 - 140°F)
Storage	0 - 70°C (32 - 158°F)
Relative Humidity Range	5 - 95% RH, non-condensing
Certifications	
Compliance	FCC Part 15 Subpart B, Class A, RoHs, CE EN 61326-1, CAN IC-ES-3(A)/NMB-3(A)
Weight	
CI-XM-34IO	0.4 kg
CI-XM-34IO-B	0.4kg
Part number	Description
CI-XM-34IO	One Conserve It XM-34IO Module
CI-XM-34IO-B	One Conserve It XM-34IO-B BACnet Expansion Module