

Gauge Pressure Sensors

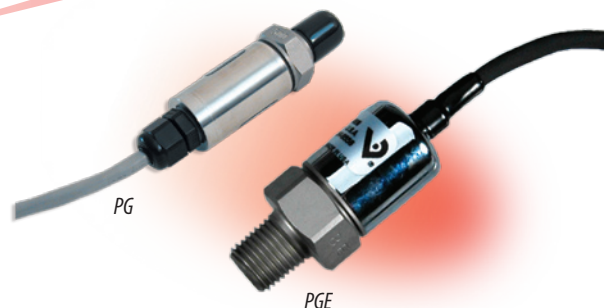
Rugged Stainless Steel Construction

APPLICATIONS

- Pump inlet/outlet and compressors
- Hydraulic/pneumatic systems
- Energy & water management
- Refrigeration equipment, fluids
- Gas pressure measurement

FEATURES

- High accuracy
- Rugged stainless steel construction (PG and PV)
- No silicon oil, no internal O-rings, no welds... fewer parts to fail
- Sturdy construction...suitable for high shock and vibration applications
- A wide operating temperature range of -40° to 85°C (-40° to 185°F) for operation versatility



DESCRIPTION

The durable PG Series pressure transducers are ideal for a wide variety of HVAC/R and industrial applications, such as refrigeration measurement, pneumatic pressure measurement, gas pressure measurement, pump inlet, and outlet fluid pressure. They are even compatible with extreme applications, such as aerospace and motor sports equipment.

PRESSURE

SPECIFICATIONS

Electrical:

Supply Voltage	10-28VDC
Output	Deluxe Models: 0-5/0-10VDC (3-wire) or 4-20mA (2-wire) ; Economy Models: 1-5VDC (3 wire) or 4-20mA (2-wire)
Load Impedance	>100kΩ
Standard Connection	Cable gland 24" (600mm) length
Pressure Port	1/4"NPT Male

Performance at 25°C (77°F):

Accuracy*	Deluxe: ±0.25% BFSL **; Economy: ±0.50% BFSL **
Media Compatibility	Fluids & gases compatible with 316L stainless steel
Pressure Cycles	>100 million cycles
Over Pressure	2x F.S. without change in calibration
Burst Pressure	5x rated pressure or 20,000 psi

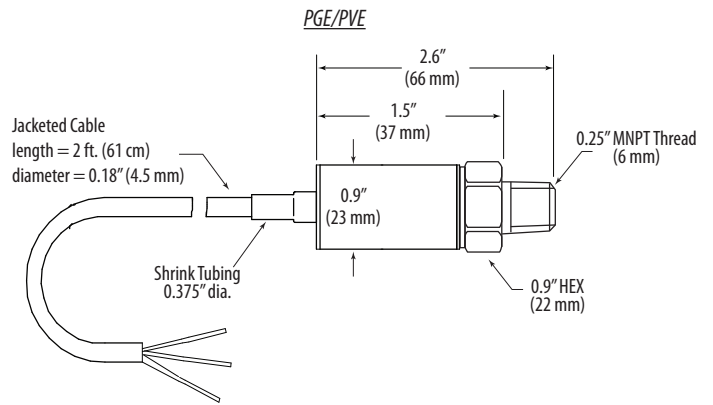
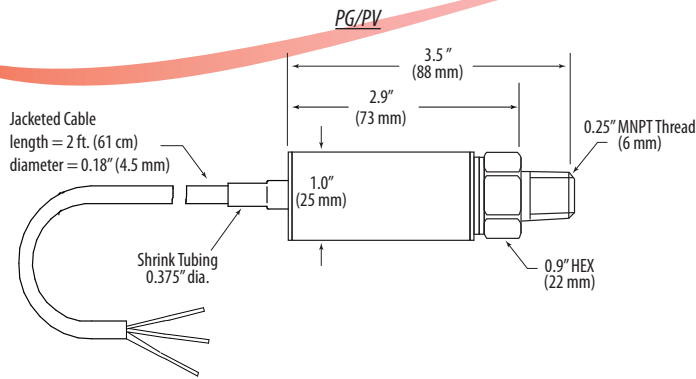
Environmental:

Shock	100G, 11 msec, 1/2 sine
Vibration	Deluxe: 20G peak, 20 to 2400 Hz; Economy: 10G peak, 20 to 2000 Hz
EMI/RFI Protection	Deluxe: yes; Economy: no
Rating	Deluxe: IP-66; Economy: IP-65
Operating Temperature Range	-40° to 85°C (-40° to 185°F)
Compensated Temperature Range	0° to 55°C (32° to 130°F)
Total Error Band Over Temperature	<±1% of FS
Humidity	0-95% RH, non-condensing

* Accuracy includes nonlinearity and hysteresis.

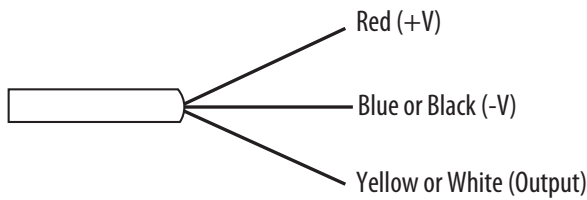
** BFSL = Best fit straight line

DIMENSIONAL DRAWINGS

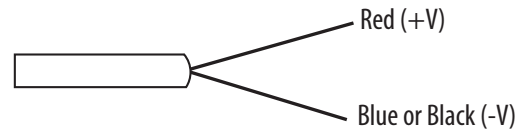


WIRE COLOR CODING

3-wire, 0-5VDC/0-10VDC



2-wire, 4-20mA



ORDERING INFORMATION

Type	Range	Wetted Material	Output
PG <input type="checkbox"/>	<input type="checkbox"/>	<input type="checkbox"/> A	<input type="checkbox"/>
Blank = Deluxe E = Economy	03 = 0 to 15 psig (Deluxe only) 04 = 0 to 25 psig 05 = 0 to 50 psig 06 = 0 to 75 psig 07 = 0 to 100 psig 08 = 0 to 250 psig 09 = 0 to 500 psig 10 = 0 to 1000 psig 11 = 0 to 5000 psig 12 = 0 to 10000 psig	= 316L stainless steel	B = 1-5VDC (economy only) M = 4-20mA V = 0-10VDC (deluxe only) J = 0-5VDC (deluxe only)
<p><i>Example:</i></p> <p>PG <input type="checkbox"/> <input type="checkbox"/> 07 <input type="checkbox"/> A <input type="checkbox"/> V</p>			

Call factory for ranges not shown.

Type	Range	Wetted Material	Output
PV <input type="checkbox"/>	<input type="checkbox"/>	<input type="checkbox"/> A	<input type="checkbox"/>
Blank = Deluxe E = Economy	03 = -14.7 to 15 psig (Deluxe only) 04 = -14.7 to 25 psig 05 = -14.7 to 50 psig 06 = -14.7 to 75 psig 07 = -14.7 to 100 psig 08 = -14.7 to 250 psig 09 = -14.7 to 500 psig 10 = -14.7 to 1000 psig 11 = -14.7 to 5000 psig 12 = -14.7 to 10000 psig	= 316L stainless steel	B = 1-5VDC (economy only) M = 4-20mA V = 0-10VDC (deluxe only) J = 0-5VDC (deluxe only)
<p><i>Example:</i></p> <p>PV <input type="checkbox"/> <input type="checkbox"/> E <input type="checkbox"/> 07 <input type="checkbox"/> A <input type="checkbox"/> M</p>			

Call factory for ranges not shown.