

TI SERIES



TI SERIES

Immersion Temperature Sensors

Installer's Specifications

| | | |
|-----------------------|---|--|
| Wiring | 22AWG; 2-wire:RTD Thermistor, 4-20mA; 3-wire: Voltage output models | |
| Probe | Stainless Steel | |
| Test Pressure | 200psi | |
| Linitemp: | | |
| Input Power | 5 to 30VDC | |
| Output | 1µA/°C or 10mV/°C | |
| Operating Temperature | -25° to 105°C (-13° to 221°F) | |
| Accuracy | Calibration Error: | 1.5°C (35°F) typical; 2.5°C (37°F) max. at 25°C (77°F)* |
| | Error over Temperature: | 1.8°C typical (35°F); 3.0°C (34°F) max. over 0° to 70°C (32° to 158°F) range |
| | | 2.0°C (35°F) typical, 3.5°C (38°F) max. over -25° to 105°C (-13° to 221°F) range |

*Room temperature error documented on each unit.

NOTICE

- This product is not intended for life or safety applications.
- Do not install this product in hazardous or classified locations.
- Read and understand the instructions before installing this product.
- Turn off all power supplying equipment before working on it.
- The installer is responsible for conformance to all applicable codes.

QUICK INSTALL

1. Thread assembly into a pipe fitting.
2. Wire as shown (see Wiring section).

PRODUCT IDENTIFICATION

| | | | | |
|-----------------------------|--------------------------|--------------------------|---------------------------------|--|
| | Immersion Probe | | | |
| Enclosure | Length "L" | Thermowell | Sensor Type | |
| TI <input type="checkbox"/> | <input type="checkbox"/> | <input type="checkbox"/> | <input type="checkbox"/> | |
| D = Duct | A = 2 1/2" (64mm) | 0 = None | B = 100R Platinum, RTD | |
| G = Service Entry Body | B = 4" (102mm) | 1 = Add Thermowell | C = 1k Platinum, RTD | |
| H = Threaded NPT Only | C = 6" (152mm) | | D = 10k T2, Thermistor | |
| W = Water resistant housing | D = 8" (203mm) | | E = 2.2k, Thermistor | |
| | E = 12" (305mm) | | F = 3k, Thermistor | |
| | | | G = 10k CPC, Thermistor | |
| | | | H = 10k, T3, Thermistor | |
| | | | J = 10k Dale, Thermistor | |
| | | | K = 10k w/11k shunt, Thermistor | |
| | | | M = 20k NTC, Thermistor | |
| | | | N = 1800 ohm, Thermistor | |
| | | | P = 10mV/°C, Linitemp | |
| | | | R = 10k US, Thermistor | |
| | | | S = 10k 3A221, Thermistor | |
| | | | T = 100k, Thermistor | |
| | | | U = 20k "D", Thermistor | |

Thermowell Sizing

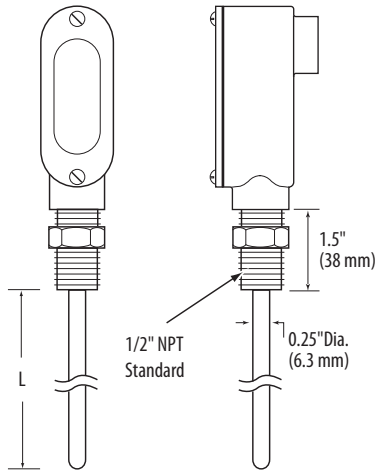
| Probe Length | Thermowell Length |
|-------------------|-------------------|
| A (2 1/2") (64mm) | 1 1/2" (38mm) |
| B (4") (102mm) | 3" (76mm) |
| C (6") (152mm) | 5" (127mm) |
| D (8") (203mm) | 7" (178mm) |
| E (12") (305mm) | 11" (279mm) |

Options

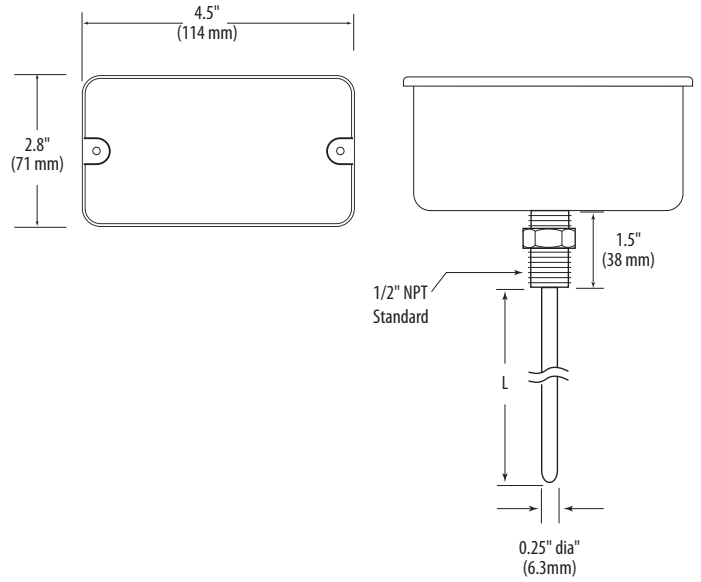
| | |
|----------------------------|--------------------------|
| Cal Certificate | Threads |
| <input type="checkbox"/> | <input type="checkbox"/> |
| 0 = None | Blank = NPT |
| 1 = 1 point Cal validation | A = BSPT |
| 2 = 2 point Cal validation | B = DIN 2999 |

DIMENSIONS

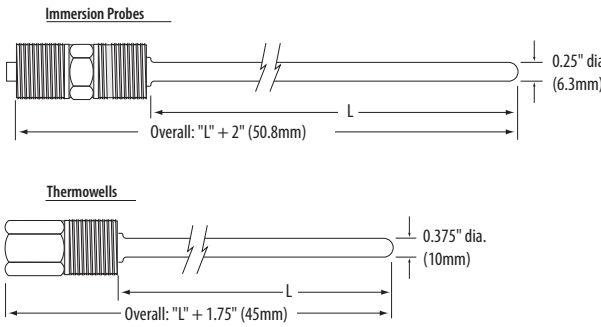
TIG Model



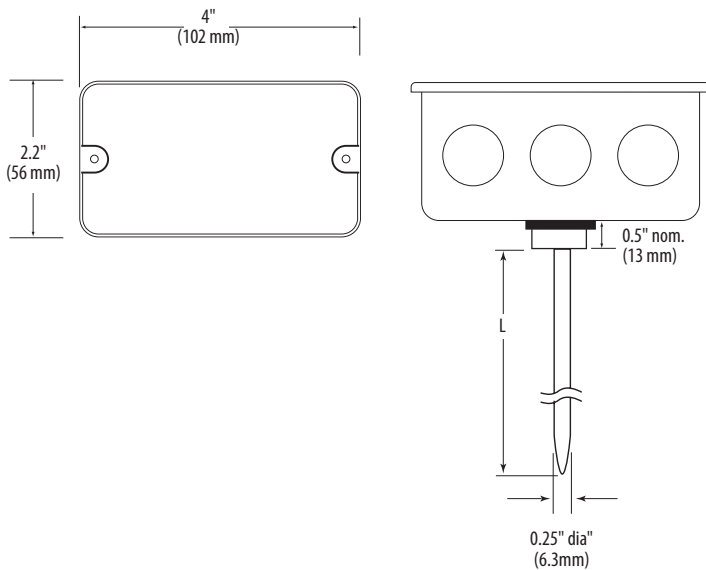
TIW Model



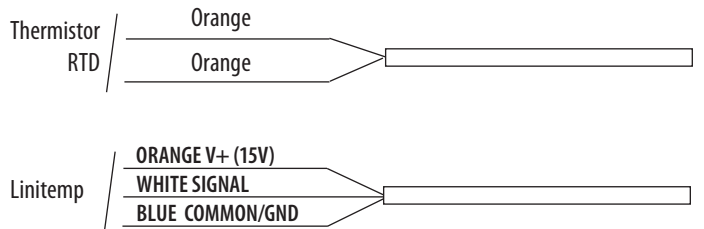
TIH Model



TID Model

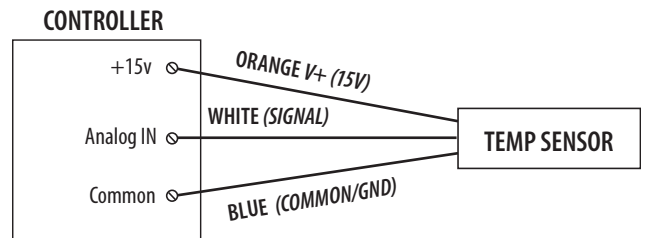


WIRING



NOTE: All linitemp units are standard 3-wire 10m V/C. For 1µ A/C (2-wire) connect +15V (orange) and (white) signal wire. The (blue) wire is not connected.

3-Wire 10m V/C



2-Wire 1µ A/C

